



## TA 80 7000 Nm

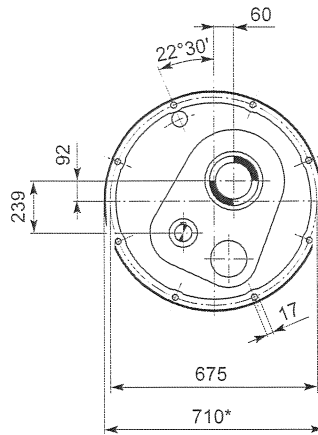
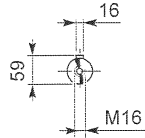
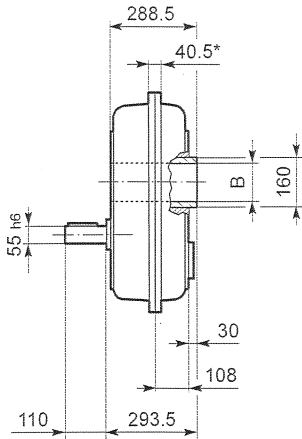
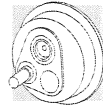
		i	n <sub>1</sub> = 1400 min <sup>-1</sup>				n <sub>1</sub> = 900 min <sup>-1</sup>				n <sub>1</sub> = 500 min <sup>-1</sup>				
			n <sub>2</sub> min <sup>-1</sup>	Mn <sub>2</sub> Nm	Pn <sub>1</sub> kW	Rn <sub>1</sub> N	n <sub>2</sub> min <sup>-1</sup>	Mn <sub>2</sub> Nm	Pn <sub>1</sub> kW	Rn <sub>1</sub> N	n <sub>2</sub> min <sup>-1</sup>	Mn <sub>2</sub> Nm	Pn <sub>1</sub> kW	Rn <sub>1</sub> N	
TA 80	80 100	5	280	3700	111	4550	180	4200	81	5100	100	5000	54	6400	26
TA 80	80 100 D	10	140	5500	85	4200	90	6100	60	4700	50	6300	35	5900	
		12.5	112	5500	68	4200	72	6100	48	4700	40	6300	28	5900	
		15	93	6100	63	4200	60	6300	42	4700	33	6600	24	5900	
		20.3	69	6100	46	4200	44	6300	31	4700	24.6	6600	17.9	5900	
		25	56	6300	39	4200	36	6600	26	4700	20.0	7000	15.4	5900	
		31.3	45	6300	31	4200	28.8	6600	21	4700	16.0	7000	12.3	5900	

## TA 100 11000 Nm

		i	n <sub>1</sub> = 1400 min <sup>-1</sup>				n <sub>1</sub> = 900 min <sup>-1</sup>				n <sub>1</sub> = 500 min <sup>-1</sup>				
			n <sub>2</sub> min <sup>-1</sup>	Mn <sub>2</sub> Nm	Pn <sub>1</sub> kW	Rn <sub>1</sub> N	n <sub>2</sub> min <sup>-1</sup>	Mn <sub>2</sub> Nm	Pn <sub>1</sub> kW	Rn <sub>1</sub> N	n <sub>2</sub> min <sup>-1</sup>	Mn <sub>2</sub> Nm	Pn <sub>1</sub> kW	Rn <sub>1</sub> N	
TA 100	100 125	5	280	5500	165	5500	180	6200	120	6200	100	7000	75	7900	27
TA 100	100 125 D	10	140	9000	139	5000	90	9500	94	5600	50	10000	55	6800	
		12.3	114	9000	113	5000	73	9500	77	5600	41	10000	45	6800	
		15	93	9500	98	5000	60	10000	66	5600	33	10500	39	6800	
		20.3	69	9500	72	5000	44	10000	49	5600	24.6	10500	28	6800	
		25	56	9800	60	5000	36	10500	42	5600	20.0	11000	24	6800	
		30.8	45	9800	49	5000	29.2	10500	34	5600	16.2	11000	19.7	6800	

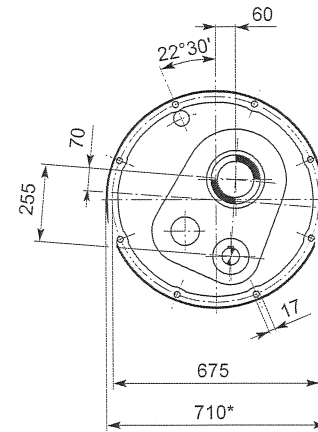
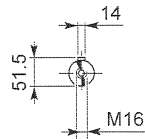
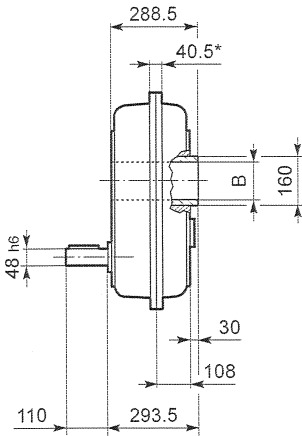
## TA 125 17000 Nm

		i	n <sub>1</sub> = 1400 min <sup>-1</sup>				n <sub>1</sub> = 900 min <sup>-1</sup>				n <sub>1</sub> = 500 min <sup>-1</sup>				
			n <sub>2</sub> min <sup>-1</sup>	Mn <sub>2</sub> Nm	Pn <sub>1</sub> kW	Rn <sub>1</sub> N	n <sub>2</sub> min <sup>-1</sup>	Mn <sub>2</sub> Nm	Pn <sub>1</sub> kW	Rn <sub>1</sub> N	n <sub>2</sub> min <sup>-1</sup>	Mn <sub>2</sub> Nm	Pn <sub>1</sub> kW	Rn <sub>1</sub> N	
TA 125	125 135	5	280	7500	226	6500	180	8000	155	7300	100	10000	107	9200	28
TA 125	125 135 D	10	140	12500	193	5500	90	14000	139	6200	50	15000	83	7700	
		12.3	114	12500	157	5500	73	14000	113	6200	41	15000	67	7700	
		15	93	12500	128	5500	60	15000	99	6200	33	16000	59	7700	
		20.3	69	14000	106	5500	44	15000	73	6200	24.6	16000	43	7700	
		25	56	15000	92	5500	36	16000	63	6200	20.0	17000	37	7700	
		30.8	45	15000	75	5500	29.2	16000	51	6200	16.2	17000	30	7700	



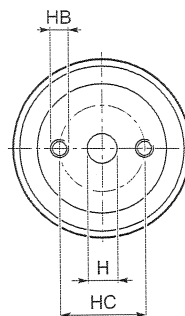
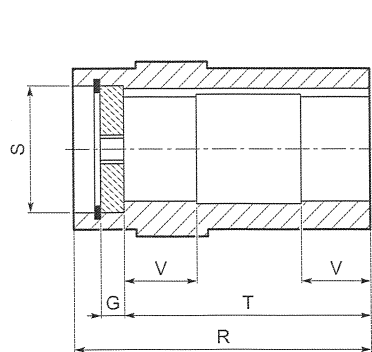
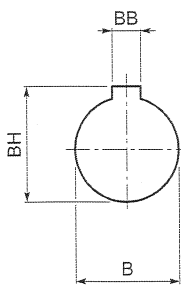
## TA 100

TA 100	100	250
	125	248



## TA 100 D

TA 100 D	100	270
	125	267



## OUTPUT

		B G7	BB	BH	G	H	HB	HC	R	S	T	V
TA 100	100	100	28	106.4	20	26	M20	80	288.5	120	256.5	60
	125	125	32	132.3	20	26	M20	100	288.5	145	256.5	60

\* Le superfici sono grezze

\* Surfaces are unmachined

\* Oberflächen nicht bearbeitet

\* Les surfaces sont non-usinées